

GENERAL BATTERIES ARE NORMALLY SLEAD LEAD ACID (VALVE REGULATED LEAD ACID) BATTERIES. THE BATTERIES ARE MAINTENANCE FREE. CIC'S GENERAL BATTERIES COVER CS SERIES, CM SERIES, CB SERIES AND CR SERIES.

CS Series SLA (VRLA) Batteries maintenance free small-size batteries The batteries are normally used for UPS (Uninterruptible Power System), Emergency light, Alarm system, Security system, Toy, Power tool, Medical equipment and other electrical products.

CM Sereis (Medium size), CB Series (Big size) and CR Series (Front Terminal/Front Access) batteries have the same features and functions, but they are always used in big enquipment.

If you hope to get the models you are looking for, please find the more data in Sections CS Series, CM Series, CB Series and CR Series.



## SLA Battery CM Series



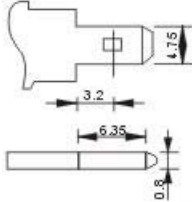
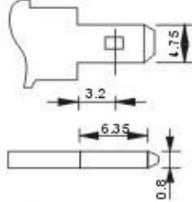
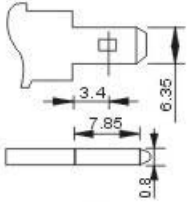
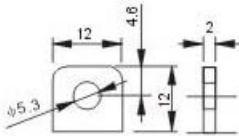
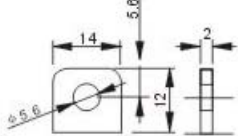
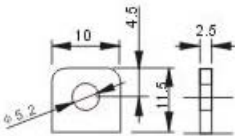
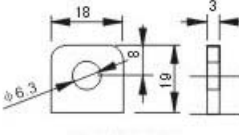
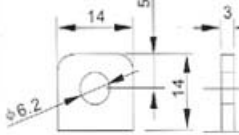
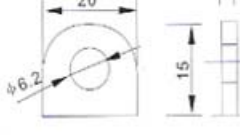
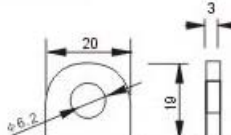
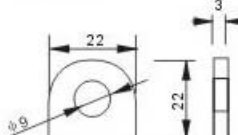
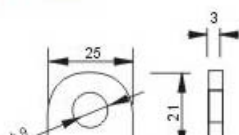
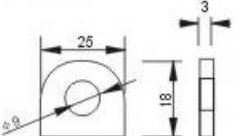
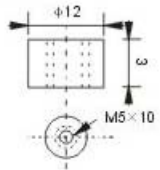
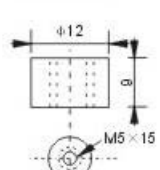
## SLA Battery (CB Series)



## SLA Battery CR Series



## CIC Battery Terminal Types

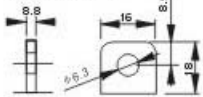
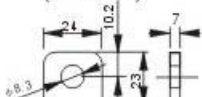
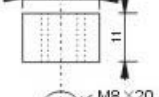
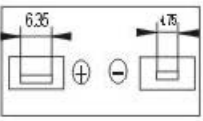
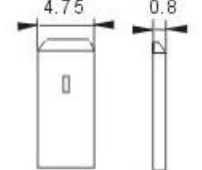
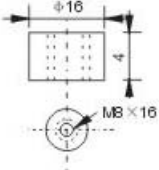
<p><b>T0</b></p> 	<p><b>T1</b></p> 	<p><b>T2</b></p> 
<p><b>T3</b></p>  <p>M5 BOLT&amp;NUT</p>	<p><b>T4</b></p>  <p>M5 BOLT&amp;NUT</p>	<p><b>T5</b></p>  <p>M5 BOLT&amp;NUT</p>
<p><b>T6</b></p>  <p>M6 BOLT&amp;NUT</p>	<p><b>T7</b></p>  <p>M6 BOLT&amp;NUT</p>	<p><b>T8</b></p>  <p>M6 BOLT&amp;NUT</p>
<p><b>T9</b></p>  <p>M6 BOLT&amp;NUT</p>	<p><b>T10</b></p>  <p>M8 BOLT&amp;NUT</p>	<p><b>T11</b></p>  <p>M8 BOLT&amp;NUT</p>
<p><b>T12</b></p>  <p>M8 BOLT&amp;NUT</p>	<p><b>T13</b></p>  <p>M5×10</p>	<p><b>T14</b></p>  <p>M5×15</p>

# CIC

## Battery Terminal Types

<p><b>T15</b></p>	<p><b>T16</b></p>	<p><b>T17</b></p>
<p><b>T18</b></p>	<p><b>T19</b></p>	<p><b>T20</b></p>
<p><b>T21</b></p>	<p><b>T22</b></p>	<p><b>T23</b></p>
<p><b>T24</b></p>	<p><b>T25</b></p>	<p><b>T26</b></p>
<p><b>T27</b></p>	<p><b>T28</b></p>	<p><b>T29</b></p>

## CIC Battery Terminal Types

<p style="text-align: center;"><b>T32</b></p> <p style="text-align: center;">(Pb terminal)</p>  <p style="text-align: center;">M5 BOLT &amp; NUT</p>	<p style="text-align: center;"><b>T34</b></p> <p style="text-align: center;">(Pb terminal)</p>  <p style="text-align: center;">M5 BOLT &amp; NUT</p>	<p style="text-align: center;"><b>T36</b></p>  <p style="text-align: center;">M8 x 20</p>
<p style="text-align: center;"><b>T43</b></p> 	<p style="text-align: center;"><b>T44</b></p> 	<p style="text-align: center;"><b>T46</b></p>  <p style="text-align: center;">M8 x 16</p>
<p style="text-align: center;"><b>Lead Terminal</b></p> 